

# Review 3

34

Choose the correct answer and write its number in the brackets provided.

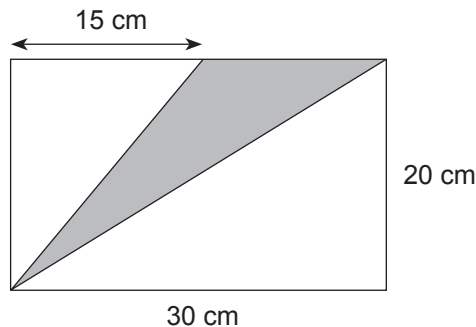
[7 marks]

- Express 4 l 325 ml in cubic centimetres. (1 l = 1000 cm<sup>3</sup>)
  - 4.325 cm<sup>3</sup>
  - 43.25 cm<sup>3</sup>
  - 432.5 cm<sup>3</sup>
  - 4325 cm<sup>3</sup>

(      )
- A cube has a base area of 64 cm<sup>2</sup>. What is its volume?
  - 256 cm<sup>3</sup>
  - 512 cm<sup>3</sup>
  - 1024 cm<sup>3</sup>
  - 4096 cm<sup>3</sup>

(      )
- Molly and Hilda shared a sum of money in the ratio 4 : 9. If Hilda received \$72, how much did Molly receive?
  - \$32
  - \$36
  - \$104
  - \$108

(      )
- What is the area of the shaded triangle?



- 120 cm<sup>2</sup>
  - 150 cm<sup>2</sup>
  - 300 cm<sup>2</sup>
  - 600 cm<sup>2</sup>
- (      )

5. Rose and Delia have a total of 96 stamps. If Rose has 48 more stamps than Delia, what is the ratio of the number of Delia's stamps to the number of Rose's stamps?

(1) 1 : 2

(3) 1 : 4

(2) 1 : 3

(4) 3 : 1

( )



6. Penny is 3 years 6 months old. She is one year older than Henry. What is the ratio of Penny's age to Henry's age?

(1) 5 : 7

(3) 7 : 9

(2) 7 : 5

(4) 9 : 7

( )

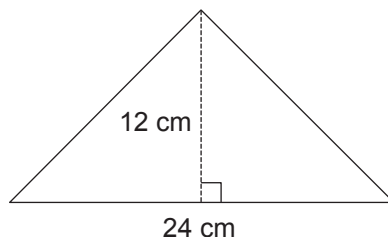
7. What is the area of the triangle shown below?

(1) 72 cm<sup>2</sup>

(2) 144 cm<sup>2</sup>

(3) 288 cm<sup>2</sup>

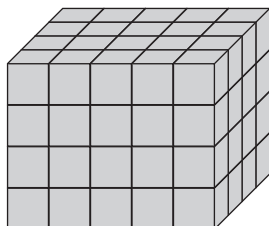
(4) 576 cm<sup>2</sup>



( )

**Write your answers on the lines provided.**

8. The solid below is made up of 1-cm cubes. Find the volume of the solid.



\_\_\_\_\_ [1 mark]

9. (a) Express 12 012 ml in cubic centimetres.

\_\_\_\_\_ [1 mark]

- (b) Express 500 050 cm<sup>3</sup> in litres and millilitres.

\_\_\_\_\_ [1 mark]

10. Find the capacity of a rectangular tank 16 cm by 18 cm by 11 cm.

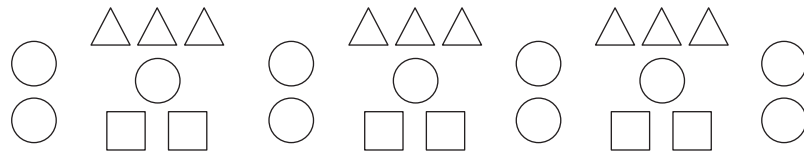
\_\_\_\_\_ [1 mark]

11. Brenda cuts a 287-cm long ribbon into two pieces in the ratio 3 : 4. What is the length of the longer piece of ribbon?

\_\_\_\_\_ [2 marks]

12. Find the ratio of the number of squares to the number of triangles to the number of circles shown below.

\_\_\_\_\_ [1 mark]

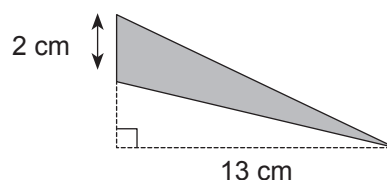


13. 5 out of every 8 books in a library are fiction. The rest of the books are non-fiction. If there are 12 560 fiction books, how many non-fiction books are there?

\_\_\_\_\_ [1 mark]

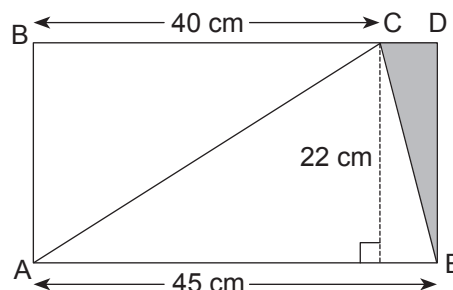
14. Find the area of the shaded triangle.

\_\_\_\_\_ [1 mark]



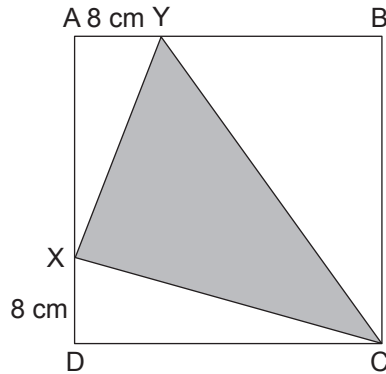
15. Find the area of the shaded triangle.

\_\_\_\_\_ [2 marks]



Do these word problems. Show your working clearly in the space provided.

16. The perimeter of square ABCD is 96 cm. AY and XD are both 8 cm. Find the area of the shaded triangle. **[5 marks]**



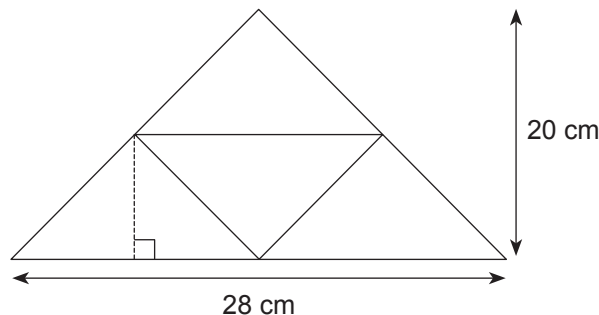
17. The ratio of the number of Japanese tourists to the number of Korean tourists to the number of Indonesian tourists in a hotel was 5 : 3 : 2. If there were 970 tourists altogether in the hotel, how many fewer Indonesian tourists than Japanese tourists were there? **[2 marks]**

18. A container of a base area  $896 \text{ cm}^2$  and a height of  $22 \text{ cm}$  is half-filled with water. If a cup of  $44 \text{ cm}^3$  is used to scoop the water out of the container, how many times must the cup be used to empty the water from the container?

[2 marks]

19. The figure below is made up of four identical triangles. Find the area of each triangle.

[3 marks]



20. The ratio of the number of sweets to the number of chocolates in a shop is  $3 : 5$ . A total of  $406$  sweets and chocolates are purchased from the supplier. There are now four times as many sweets and twice as many chocolates in the shop. What is the total number of chocolates and sweets in the shop now?

[4 marks]